

Max Flow 124 Suction Owner's Manual

IMPORTANT SAFETY INSTRUCTIONS READ AND FOLLOW ALL INSTRUCTIONS SAVE THESE INSTRUCTIONS



Listed
Component
File SA 8274

WARNING

Before installing this product, read and follow all warning notices and instructions accompanying this product. Failure to follow safety warnings and instructions can result in severe injury, death, or property damage.

Call (714) 384-0384 for additional free copies of these instructions.

Important Notice

Attention Installer:

This manual contains important information about the installation, operation and safe use of this product. This information should be given to the owner/operator of this equipment.

WARNING

IMPROPER INSTALLATION OR USE OF THIS PRODUCT MAY PRESENT A RISK OF HAIR OR BODY ENTRAPMENT AND DROWNING. Install this equipment in accordance with the instructions provided. Use only the components and mounting hardware provided. FAILURE TO FOLLOW THE INSTRUCTIONS AND/OR USE THE COMPONENTS PROVIDED BY BWG POOL PRODUCTS MAY RESULT IN IMPROPER POSITIONING OR FUNCTIONING OF DRAIN COVER AND MAY CAUSE SEVERE PERSONAL INJURY OR DEATH.

WARNING

This fitting is rated at 200 GPM. If the fitting is missing or broken, replace with a fitting of equivalent rating or higher. Use of a lower rated suction fitting could result in hair or body entrapment which could result in serious injury including death.

WARNING

Do not use or operate this spa/tub if this suction fitting is missing, broken or not secured per instructions. The suction fitting is intended to prevent entrapment of hair or body. Use of the spa/tub with a missing, broken or improperly secured suction grate may result in serious personal injury including death.

WARNING

When the spa/tub is in operation, suction is created at this fitting. Users of this spa/tub must be instructed and warned not to come in contact with this fitting in such a way as to block its orifice. If a user of the spa/tub blocks this fitting with his/her body, serious personal injury or death may occur.

WARNING

Use of tee adapter is to be plumbed with, **at the most, ONE** pump. Plumbing two or more pumps to one suction fitting could result in hair or body entrapment which could result in serious injury including death.

- 1a. **Flat Gasket:** Locate and drill a 3-1/8 in. hole in a wall section of the spa or jetted tub. Be sure the area located is flat and the wall thickness is uniform.
- 1b. **"L" Gasket:** Locate and drill a 3-3/8 in. hole in a wall section of the spa or jetted tub. Be sure the area located is flat and the wall thickness is uniform. (**NOTE:** "L" Gasket must be used with the Compensator.)
2. Install the supplied GASKET over the threaded area of the FLANGE, and insert the FLANGE through the drilled hole. Make sure the GASKET is not crimped or folded between the FLANGE and sealing surface.
NOTE: If desired, silicone sealant can be used in addition to the GASKET. Apply sealant to FLANGE threads and backside of spa wall. Avoid getting silicone sealant on GASKET.
3. Install the COMPENSATOR over the threaded area of the FLANGE from the backside of the spa wall.
4. Install the NUT over the FLANGE threads and hand tighten. Using the BWG installation tool. P/N 943520, with a customer supplied torque wrench, tighten the NUT to a max torque setting of 28 foot-pounds.

		CAUTION	Do not over tighten as this may cause damage to parts and leakage may occur.
---	---	----------------	---

5. GLUE an adapter fitting into the FLANGE. Be sure to orientate the ADAPTER in the desired direction before the glue sets.

	CAUTION	This is a PVC to PVC connection. Improper gluing or improper cement selection can cause leaks at glued connection which can result in property damage.
---	----------------	---

6. Install the front COVER using the supplied stainless steel SCREW. Tighten SCREW until it bottoms out. DO NOT OVER TIGHTEN.
7. Press fit the CAP into the mounting holes on the top of the COVER.

For deco plate and cover color selection, replace the XX with one of the following:

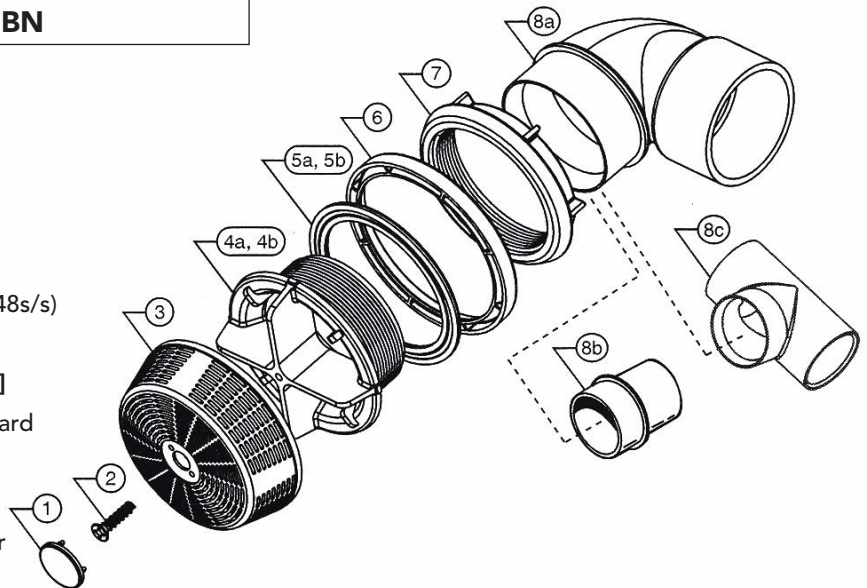
00 = White	11 = Black	81 = Silver	WW = Grey
------------	------------	-------------	-----------

For Indoor Use Only

xx = 99, CP, BP, PN, GD, BN

Parts List:

Item No.	Part Number	Description
1.	9808XX	Suction 124/200 Cap
2.	990006	Screw (#8-16 x 1.095 Plastite 48s/s)
3.	9809XX	Suction 124 Cover
4a.	980500	Suction 124 Flange - BWG *[1]
4b.	94000000	Suction 124 Flange - 2" Standard
5a.	980600	Suction Gasket - Flat Design
5b.	985713	Suction Gasket - "L" Design
6.	981000	Suction 124/200 Compensator
7.	980700	Suction 124/200 Nut
8a.	47223100	Suction Adapter - Elbow 2" *[2]
8b.	47223200	Suction Adapter - Straight 2" *[2]
8c.	943515	Suction Adapter - Tee 2" *[2]



*[1] Requires BWG Adapter: Items 8a, 8b, 8c.
*[2] Sold Separately.

SAVE THESE INSTRUCTIONS

Product Number
900904XX
900906XX
900908XX
900910XX