

NiagaraPump

Powerful. Compact. Proven Reliability.

- Single or Dual Speed Models
- Reliable performance and long service life
- UL, TUV, CSA, and CE/VDE/GS certified
- Cool running 56 frame motor
- Available in 230V or 115V 60Hz motors



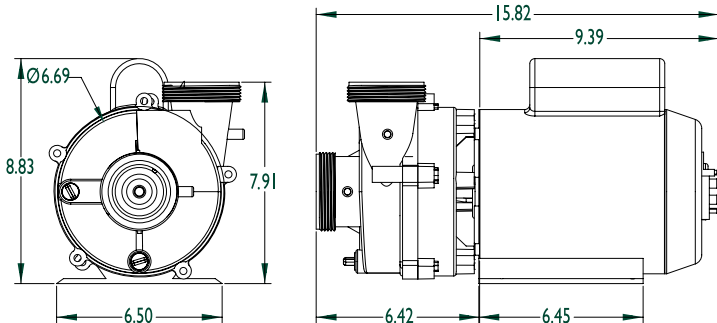
Niagara SpaPump

Premier Ultimax pumps are the ultimate benchmark in design flexibility and performance. From small applications for zone seating and focused therapy up to multi pump configurations to run 100+ jetted systems. Ultimax pumps supply the specific performance features you require and the long service life and powerful performance spa owners demand.

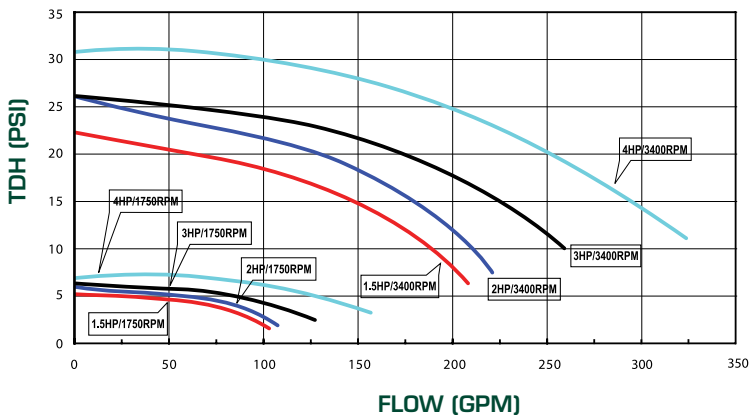
FEATURES

- High flow rates exceeding 325 gallons per minute for maximum performance in your luxury applications.
- All seals are carbon ceramic with Viton® elastomers for long-lasting performance, easily enduring prolonged heat and chemical exposure.
- Multi-directional volute mountings provide the flexibility to accommodate any configuration; 2" and 2.5" suction options.
- Choose single or two-speed motors from 1.5 to 4 HP; with two-speed models, sanitation and heating can occur while maintaining lower operational costs.
- Specify an ultra efficient motor and our highest efficiency hydraulics versions help meet appliance efficiency regulations.

Pump Measurements



60Hz PERFORMANCE CURVE North America Model



OPTIONS

- True rated 1.5, 2, 3 and 4 HP models
- 115 volt options in 1.5 HP; remaining motors 230V 60Hz for North America and 230V 50 Hz TEFC motors for Europe
- 48 or 56 Frame Size 60 Hz
- 80 or 90 Frame Size 50 Hz
- Class F insulation
- Single or 2-speed models
- All spa pack or plug and play connection leads available

SPECIFICATIONS

- Center suction/radial side discharge orientation
- Suction Port: 2" or 2.5"
- Discharge Port: 2"
- Mechanical Seal: Carbon ceramic with Viton elastomers

Plumbing configuration affects pump performance. Engineering consultation is available to find the best pump for all your spa needs.

1.5 HORSEPOWER (North America Domestic) – 1 Speed/15 Frame Size

MATERIAL NO.	SPEED	AMP CORD	IN-LINK CORD	JJ CORD	VOLTAGE	FREQUENCY (Hz)	AMPS	FRAME SIZE
1016037	1	120	-	-	230	60 Hz	7.5	15

1.5 HORSEPOWER (North America Domestic) – 2 Speed/56 Frame Size

MATERIAL NO.	SPEED	AMP CORD	IN-LINK CORD	JJ CORD	VOLTAGE	FREQUENCY (Hz)	AMPS	FRAME SIZE
1016051	2	120	-	-	230	60 Hz	6.7 or 2.6	56

2.0 HORSEPOWER (North America Domestic) – 1 Speed/56 Frame Size

MATERIAL NO.	SPEED	AMP CORD	IN-LINK CORD	JJ CORD	VOLTAGE	FREQUENCY (Hz)	AMPS	FRAME SIZE
1016021	1	53	-	-	230	60 Hz	8.8	56

2.0 HORSEPOWER (North America Domestic) – 2 Speed/56 Frame Size

MATERIAL NO.	SPEED	AMP CORD	IN-LINK CORD	JJ CORD	VOLTAGE	FREQUENCY (Hz)	AMPS	FRAME SIZE
1016076	2	53	-	-	230	60 Hz	8.8 or 2.9	56
1016010	2	120	-	-	230	60 Hz	8.8 or 2.9	56

3.0 HORSEPOWER (North America Domestic) – 1 Speed/56 Frame Size

MATERIAL NO.	SPEED	AMP CORD	IN-LINK CORD	JJ CORD	VOLTAGE	FREQUENCY (Hz)	AMPS	FRAME SIZE
1016004	1	-	-	48	230	60 Hz	12	56
1016178	1	-	-	-	230	60 Hz	12	56

3.0 HORSEPOWER (North America Domestic) – 2 Speed/56 Frame Size

MATERIAL NO.	SPEED	AMP CORD	IN-LINK CORD	JJ CORD	VOLTAGE	FREQUENCY (Hz)	AMPS	FRAME SIZE
1016111	2	53	-	-	230	60 Hz	12 or 3.5	56

4.0 HORSEPOWER (North America Domestic) – 1 Speed/56 Frame Size

MATERIAL NO.	SPEED	AMP CORD	IN-LINK CORD	JJ CORD	VOLTAGE	FREQUENCY (Hz)	AMPS	FRAME SIZE
1016185	1	-	-	-	230	60 Hz	16.4	56
1016193	1	53	-	-	230	60 Hz	16.4	56

4.0 HORSEPOWER (North America Domestic) – 2 Speed/56 Frame Size

MATERIAL NO.	SPEED	AMP CORD	IN-LINK CORD	JJ CORD	VOLTAGE	FREQUENCY (Hz)	AMPS	FRAME SIZE
1016196	2	53	-	-	230	60 Hz	16.4 or 4.1	56
1016186	2	-	-	-	230	60 Hz	16.4 or 4.1	56

Unions and Noise Abatement



Union Kit 45 Degree Elbow Male 2" Spigot
Material No: 3320255



Split Nut 2"
Material No: 3320274



Union Kit Female 2" Socket
Material No: 2614029



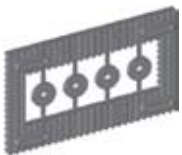
Union Kit Female 63mm Socket
Material No: 2614020



Union Kit Female 2.5" Socket
Material No: 2614030

Quiet Luxury

Vibration Pads isolate larger pumps from the bather. The result is quieter, more luxurious performance from middle and high end products. Spa and Bath Vibration Pads are made from superior materials for superior performance.



Motor Pad For Noise Abatement
Material No: 1216163



Vibration mount
Material No: 1216001